

**NEW!**

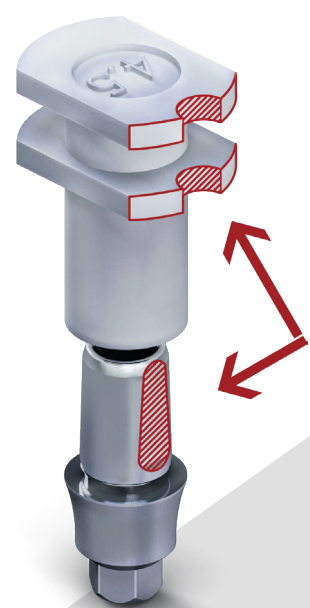
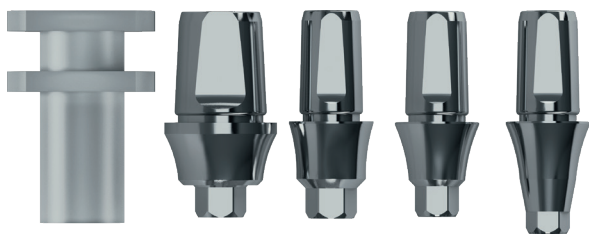
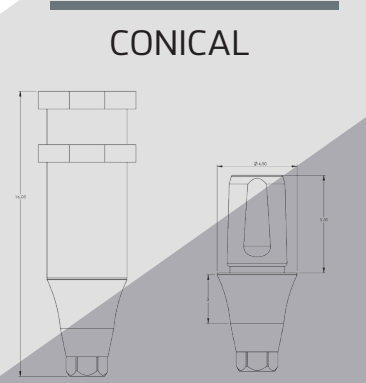
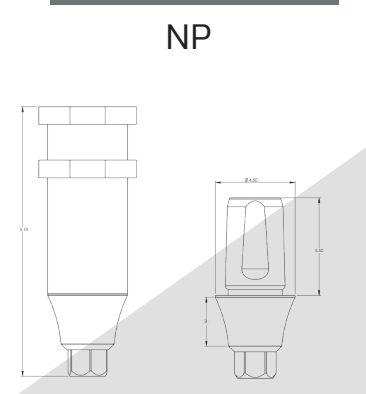
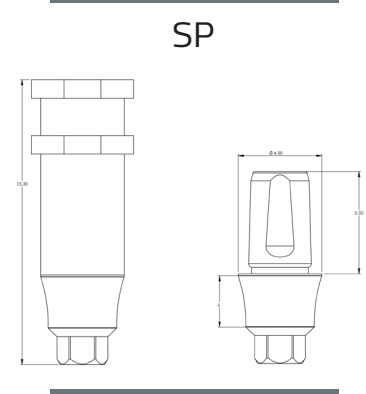
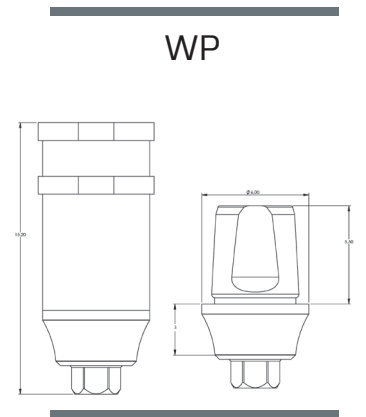
# Closed Tray Impression Plastic Snap-On with Abutment



The closed tray impression plastic snap-on with abutment is indicated for an implant level impression using a closed tray technique. The Plastic Snap-on enables fast and simple impression taking using the closed tray technique while getting the maximum percision of the open tray technique.

**Steps to take the impression with the plastic snap-on:**

- The abutment is inserted directly into the implant, and secured with its screw.
- The plastic impression snap-on is placed over the abutment and snapped into place.
- The plastic impression snap-on will be picked up in the impression.
- The abutment is removed from the implant.
- The laboratory will connect an implant analog to the abutment and then snap the abutment into the impression snap-on in the impression.
- The laboratory will now pour the master model



**Please notice the correct way to insert the abutment**

56-70034	SP Closed Tray Impression Plastic Snap-on with Abutment
56-70035	NP Closed Tray Impression Plastic Snap-on with Abutment
56-70036	WP Closed Tray Impression Plastic Snap-on with Abutment
56-72012	Conical Closed Tray Impression Plastic Snap-on with Abutment